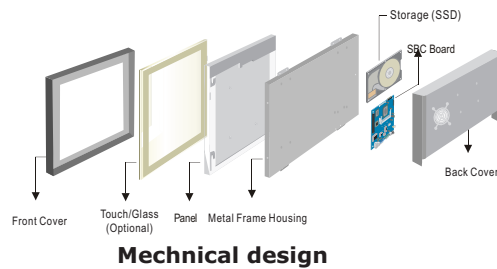


# R12ID7T-CHM2WT 12.1" Panel PC (Intel® Atom N2800 + Nm10 Platform)

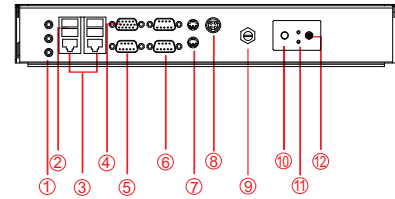
Mechanical Design



Chassis



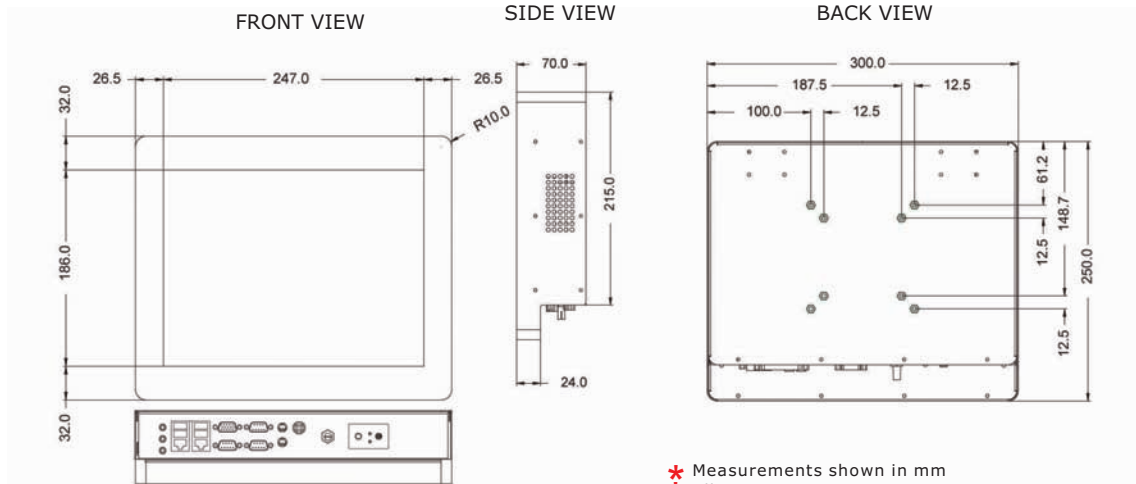
Mechanical design



- |                         |                               |
|-------------------------|-------------------------------|
| 1. Audio Jack           | 7. PS/2                       |
| 2. USB                  | 8. DC IN Power Jack           |
| 3. RJ-45                | 9. Brightness Adjustment Knob |
| 4. VGA Out              | 10. Power / HDD LED           |
| 5. RS-232/422/485 Conn. | 11. Power On Button           |
| 6. RS-232 Conn.         | 12. Power Reset Button        |

Fully Integrated I/O

## Dimensions



BOTTOM VIEW

\* Measurements shown in mm  
 \* All Dimensions are ±  
 \* Note: this is a simplified drawing and some components are not marked in detail.  
 Please contact our sales representative if you need further product information.

## Specifications

### System :

- CPU : Intel® Atom N2800 1.86GHz Processor
- Memory Slot : 1 x SODIMM, Max 4GB DDR3 800/1066
- System Chipset : Intel® NM10
- IDE/SATA : 2 x SATA
- LAN : Dual Broadcom BCM57780 GbE controller
- Audio Codec : Realtek ALC886 HD Audio Codec
- Storage : mSATA SSD 32GB (Default)

### Input / Output :

- Serial Ports : 2 x RS232, 1 x RS232/422/485
  - USB Ports : 4 x USB Type-A Receptacle
  - Keyboard / Mouse : 2 x PS/2
  - Ethernet : 2 x RJ45-10/100/1000 Mbps
  - VGA : 1 x VGA (female)
  - Audio : Line-out, Line-in, Mic in
- Default setting:RS232

### Expansion Slot :

- 1 x Mini PCIe slot (for wireless module)
- 1 x Mini PCIe slot (for 3G module)

### Environment Considerations :

- Operating Temperature : -20 deg.C to 60deg.C
- Operating Humidity : 30% to 90% (non condensing)

### Panel Spec :

- Size/Type : 12.1" TFT
- Resolutions : 1024x768
- Brightness : 500cd/m (typ.)
- Contrast Ratio : 700 : 1 (typ.)
- Viewing Angle : -80~80(H);-70~70(V)
- Max. Colors : 16.2M / 262K colors

### Power Specifications :

- Power Input : 12V DC-IN Power input
- Power Consumption : 36W (typ.)(Max.backlight & high CPU load)

### Accessories :

- External Power Supply 80W Adapter w/power cord

### Order Options :

- Touch : 5 Wires Resistive (Optional)
- RAM : SODIMM DDR3 1066
- OS : Windows 7 embedded / Windows XP embedded (Optional)



Rev.	Reasons	Revised Date
1.0	First Release	Jul-31-12