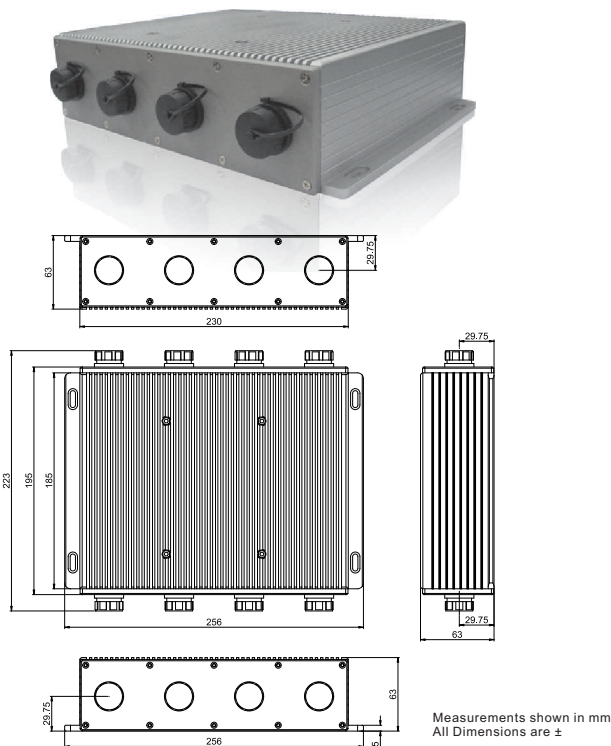


IA30-Full IP65 BOX PC

IA30F65 with Dual Serial Ports, Dual GigaLAN, Dual USB Ports
Robust Alu.Fim Box PC.

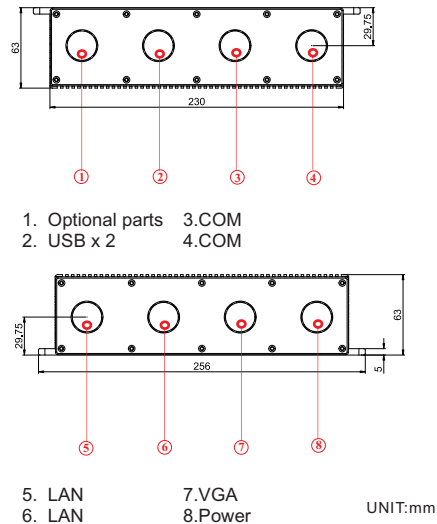
Full IP65/ NEMA4 BOX PC

IA30F65-201



Features:

- Design for outdoor, boat, ship and heavy Industrial application
- Onboard ATOM N270 1.6GHz
- 1 x DDR2 SODIMM, max. 2GB
- Support 4 x Digital Input/4 x Digital Output(Optional)
- Fanless, High efficiency thermal design w/ sealed construction
- 1500V DC power isolation resistance
- 2xGigaLAN, 2xUSB, 1xVGA, 2xCOM
- 1xLine-out(Optional)
- 1x CAN BUS(Optional)
- Support 4xDigital Input/4x Digital output(Optional)



* Note: this is a simplified drawing and some components are not marked in detail. Please contact our sales representative if you need further product information.

System Specification

Processor	: Intel® ATOM N270 1.6GHz
BIOS	: AMI 4Mbit Flash
System Chipset	: Intel 945GSE / ICH7M Chipset
System Memory	: 1 x SODIMM, Max 2GB DDR2 533 (1GB Default)
Watchdog Timer	: 256 levels
Graphic Interface	: Integrated Intel GMA950, LVDS/CRT
Graphic Memory	: Shared memory, max. 224MB
Ethernet Controller	: Dual Realtek RTL8111B GigaLAN
USB	: 4 x USB ports, USB 2.0 compliant (2xUSB Internal)
SSD Interface	: 1 x Type I/II CF socket (Internal)
Storage	: 1 x 320 GB HDD

Mechanical and Power

Dimensions (L x W x H)	: 256mm x 223mm x 63mm
Construction	: Aluminum housing
Power Input	: +24V DC In with 1500VDC Isolation Resistance(+9~36V DC Input Acceptable)
Power source range	: Typical 30 W power consumption
Mounting	: Wall-mount / Din Rail Mount / Desktop

I/O Connectors

Front Side I/O	: 2 x COM : 2 x USB : 1xLine-out(Optional) : 1xLAN(Optional) : 1xCAN(Optional)
Back Side I/O	: 1 x Power : 2 x LAN : 1x VGA

Environment Considerations

Operating Temperature	: -10 to 55 deg. C
Operating Humidity	: 5% to 95% (non condensing)
Anti-Vibration	: 5Hz~500Hz / 1Grms/3 Axis
Anti Shock	: 15G, 11ms duration

Ordering Information (optional)

Storage	: 40GB Automobile HDD, 4GB SSD, 4GB Industrial Grade CF.
Mounting Kit	: Din Rail Mounting Kit w/ screws

Note: All Specifications are subject to change without prior notice!

Revised Date:03/13/2009

Rev.	Reasons	Revised Date
1.0	First release	Mar-13-09
1.1	Spec change	Jan-09-13